



Chantal

The imposing shape of Chantal seems to be modeled from a single volume, a laborious weft in impalpable portions, such as the one of the honeycomb, allowing concentric hexagonal shapes to have an ever new perspective from every point of observation. The light from the LEDs of Chantal suspension lamp reminds us of the movement of waves and the transparency of the moment when they dwindle, they dematerialise diffusing interminable drops of brightness.

Brand: **SLAMP**, MADE IN ITALY

Item type: Suspended lamp

Item code: CHN88SOS0001A_000

Designer: Doriana and Massimiliano Fuksas

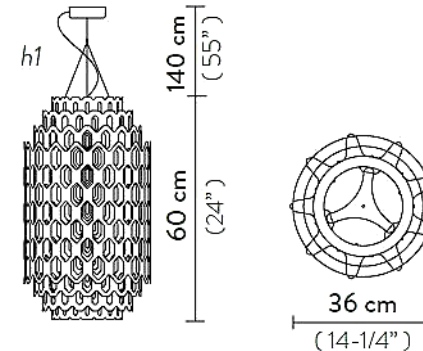
General Details: Cristalflex® / Lentiflex® in ORANGE

Bulb suggestion: net: kg 6.5 - gross: kg 14.4

Bulb suggestion:

suggestion: LED: 105W - 220V - 12.000 Lumen - 2700 Kelvin

Dimension: 36Ø x 60 cm



Please click the link for more option and finishes:

<https://www.slamp.com/en/products/suspension/chantal-suspension/>